

CONA®-Universal ANSI

for quick assembly/disassembly on CONA®-Connector or foreign system connectors

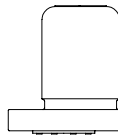
CONA®B-Universal ANSI

Bimetallic steam trap

ANSI300

(Fig. 604)

Stainless steel
Fig. 604



Page 2

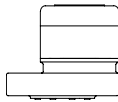
CONA®M-Universal ANSI

Thermostatic steam trap

ANSI300

(Fig. 622)

Stainless steel
Fig. 622



Page 3

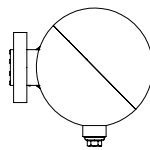
CONA®S-Universal ANSI

Ball float steam trap

ANSI300

(Fig. 628)

Stainless steel
Fig. 628



Page 4

CONA®TD-Universal ANSI

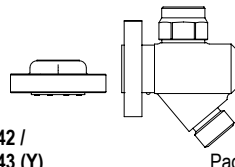
Thermodynamic steam trap

ANSI300

- without strainer

(Fig. 642)

Stainless steel



Page 5

- with outside strainer

(Fig. 643)

Fig. 642 /
Fig. 643 (Y)

CONA®-Connector 681 ANSI

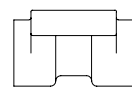
System connector

ANSI300

- with screwed sockets

(Fig. 681....2)

Stainless steel



Page 6

- with socket weld ends

(Fig. 681....3)

Fig. 681

CONA®-Connector 682 ANSI

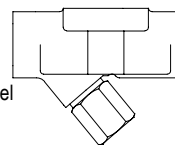
System connector with outside strainer

ANSI300

- with flanges

(Fig. 682....1)

Forged steel
Stainless steel



Page 6

- with screwed sockets

(Fig. 682....2)

- with socket weld ends

(Fig. 682....3)

- with butt weld ends

(Fig. 682....4)

Fig. 682

CONA®-Connector 683 ANSI

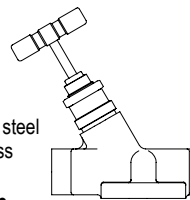
System connector with stop function at inlet

ANSI300

- with flanges

(Fig. 683....1)

Forged steel
Stainless steel



Page 6

- with screwed sockets

(Fig. 683....2)

- with socket weld ends

(Fig. 683....3)

- with butt weld ends

(Fig. 683....4)

Fig. 683

CONA®-Connector 684 ANSI

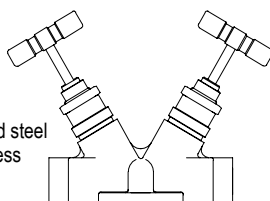
System connector with stop function at inlet and outlet

ANSI300

- with flanges

(Fig. 684....1)

Forged steel
Stainless steel



Page 6

- with screwed sockets

(Fig. 684....2)

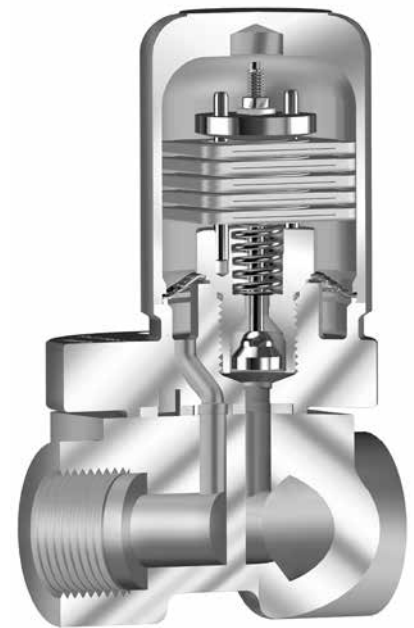
- with socket weld ends

(Fig. 684....3)

- with butt weld ends

(Fig. 684....4)

Fig. 684



CONA®B-Universal Fig. 604 with CONA®-Connector Fig. 681....2

Features CONA®-Universal ANSI:

- For the discharge of
 - Fig. 604 / 622 / 642 / 643: cold condensate
 - Fig. 628: hot condensate
- Robust and resistant to water-hammer
- Automatic air-venting during start up and operation of the plant
- Fig. 604 / 622 / 642 / 643: Integrated non return protection
- Mounting position:
 - Fig. 604 / 622: any, except cap upside down
 - Fig. 628: plug always upside down
 - Fig. 642: any position
 - Fig. 643: always with drain plug upside down
- Construction in high quality stainless steel
- Optimized design for quick installation
- Can be combined with all types of CONA-Connector

Features CONA®-Connector ANSI:

- Space saving, compact design
- Minimization of installation and maintenance labor
- Material optional in forged steel and stainless steel
- Fig. 682: with outside strainer
- Fig. 683 / 684: with integrated, low-maintenance stop valve with gland seal (on request with maintenance free bellows seal design acc. to german clean air act "TA-Luft")
- Simple replacement of steam traps by shut-off of inlet and outlet
- Optional with blow down valve
- Fig. 683: Recommended in combination with CODIcollector
- Elimination of potential leak points by reduced numbers of pipe joints
- Can be combined with all types of CONA-Universal
- Pressure test acc. to API 598

CONA®B-Universal - Bimetallic steam trap (Stainless steel)

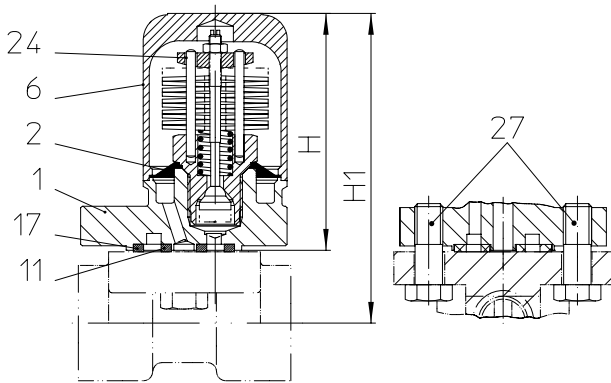


Fig. 604 Universal flange with 2 x 3/8" UNC-thread

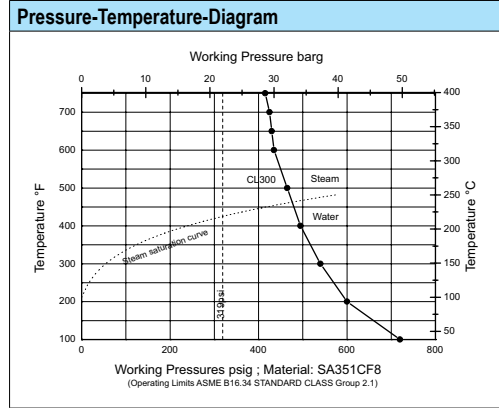


Figure	Nominal pressure	Material	NPS	Operating pressure PS	Inlet temperature TS	max. differential pressure ΔPMX	for controller
55.604	ANSI300	SA351CF8	2 x 3/8"	22 barg	400 °C	22 bar	R22

Types of connection	
• Universal flange _____ 2 x 3/8" UNC-thread	
Features	
<ul style="list-style-type: none"> • Bimetallic steam trap with corrosion resistant and water hammer proofed bimetallic controller • Automatic air-venting during start up and operation of the plant • Non return protection • With inside strainer 	<ul style="list-style-type: none"> • Robust and insensitive to waterhammer • Installation in any position, except cap upside down • Optimized design for quick installation • Can be combined with all types of CONA-Connector (refer to page 6)

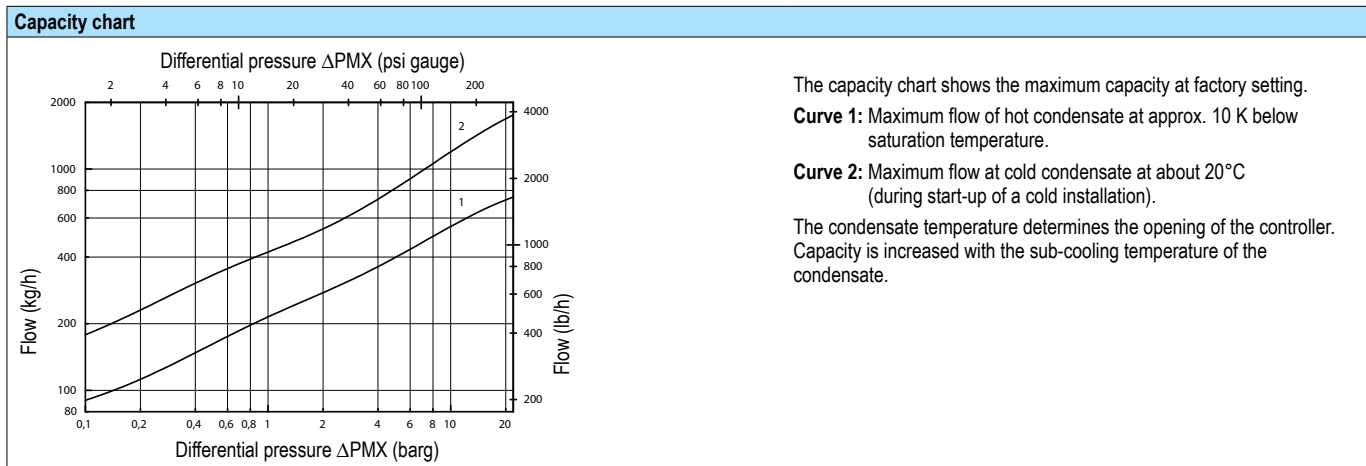
Types of connection	Universal flange
NPS	2 x 3/8"

Dimensions	
H	(mm) 82
H1	(mm) acc. to connector type

Weights	
(approx.)	(kg) 0,8

Parts			
Pos.	Sp.p.	Description	Fig. 55.604
1	x (cpl. unit)	Body	SA351CF8
2		Strainer	SA240Gr.304
6		Cap	SA276Gr.321
11		Sealing ring (spiral wounded gasket)	Metaflex (with Graphite)
17		Sealing ring (spiral wounded gasket)	Metaflex (with Graphite)
24		Controller	corrosion resistant bimetal TB 102 / 85
27		Hexagon screw	SA193Gr.B16
L Spare parts			

Information / restriction of technical rules need to be observed!
Resistance and fitness must be verified (contact manufacturer for information, refer to Product overview and Resistance list).
Operating and installation instructions can be downloaded at www.ari-armaturen.com.



CONA®M-Universal - Thermostatic steam trap (Stainless steel)

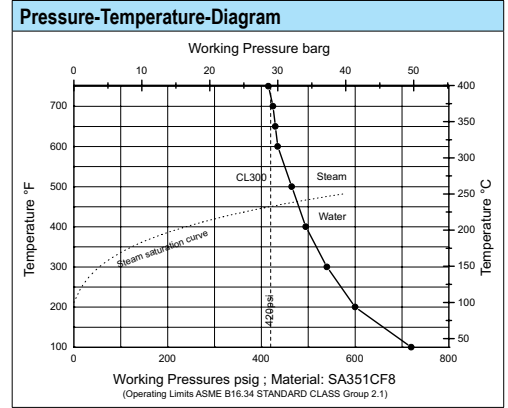
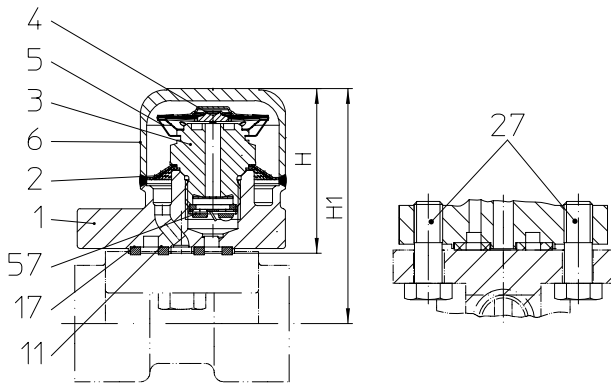


Fig. 622 Universal flange with 2 x 3/8" UNC-thread

Figure	Nominal pressure	Material	NPS	Operating pressure PS	Inlet temperature TS	max. differential pressure ΔPMX	for controller
55.622	ANSI300	SA351CF8	2 x 3/8"	29 barg	400 °C	29 bar	R32

Types of connection

- Universal flange _____ 2 x 3/8" UNC-thread

Features

- Thermostatic steam trap with noncorrosive and robust water hammer proofed capsule
- Non return protection
- With inside strainer
- Robust and insensitive to waterhammer
- With capsule for condensate sub-cooling about approx. 10K
- Installation in any position, except cap upside down (Filter effect maximised at horizontal installation)
- Optimized design for quick installation
- Can be combined with all types of CONA-Connector (refer to page 6)

Types of connection

Universal flange

NPS

2 x 3/8"

Dimensions

H	(mm)	54
H1	(mm)	acc. to connector type

Weights

(approx.)	(kg)	0,6
-----------	------	-----

Parts

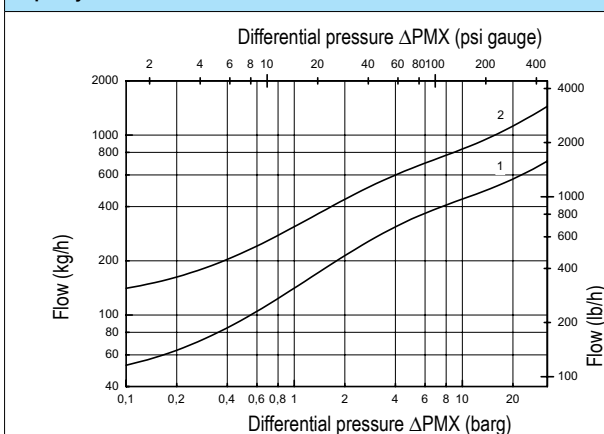
Pos.	Sp.p.	Description	Fig. 55.622
1	x (cpl. unit)	Body	SA351CF8
2		Strainer	SA240Gr.304
3		Seat	AISI303
4		Capsule B (Diaphragm / Capsule)	Hastelloy / SA240Gr.304
5		Spring actuated clip	AISI301
6		Cap	SA276Gr.321
11		Sealing ring (spiral wounded gasket)	Metaflex (with Graphite)
17		Sealing ring (spiral wounded gasket)	Metaflex (with Graphite)
27		Hexagon screw	SA193Gr.B16
57		Non return protection	SA240Gr.304
L Spare parts			

Information / restriction of technical rules need to be observed!

Resistance and fitness must be verified (contact manufacturer for information, refer to Product overview and Resistance list).

Operating and installation instructions can be downloaded at www.ari-armaturen.com.

Capacity chart



The capacity chart shows the maximum flow rates.

Curve 1: Maximum flow of hot condensate at approx. 10 K below saturation temperature.

Curve 2: Maximum flow at cold condensate at about 20°C (during start-up of a cold installation).

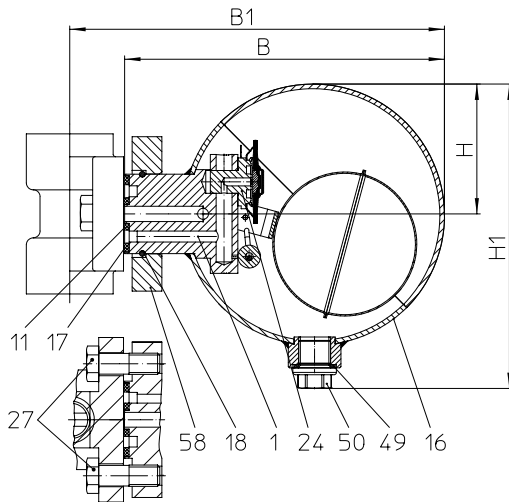
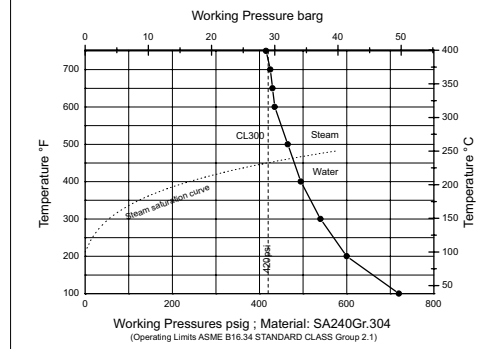
CONA®S-Universal - Ball float steam trap (Stainless steel)

Pressure-Temperature-Diagram

Fig. 628 Universal flange with 2 x 3/8" UNC-thread

Figure	Nominal pressure	Material	NPS	Operating pressure PS	Inlet temperature TS	max. differential pressure ΔPMX	for controller
55.628	ANSI300	Body: SA182F321 / Hood: SA240Gr.304	2 x 3/8"	29 barg	400 °C	29 bar	R32

Types of connection

- Universal flange _____ 2 x 3/8" UNC-thread

Features

- Ball float steam trap with level control for the condensate-discharge from all kinds of steam systems
- Robust and insensitive to waterhammer
- Rapid system start-up due to thermostatic air venting capsule
- Installation always with drain plug (Pos. 50) upside down
- Immediate discharge of hot boiling condensat
- Can be combined with all types of CONA-Connector (refer to page 6)

Types of connection
Universal flange
NPS
2 x 3/8"
Dimensions

Dimension	Unit	Value
H	(mm)	58
H1	(mm)	134
B	(mm)	140
B1	(mm)	acc. to connector type

Weights

(approx.)	(kg)	Value
		1,4

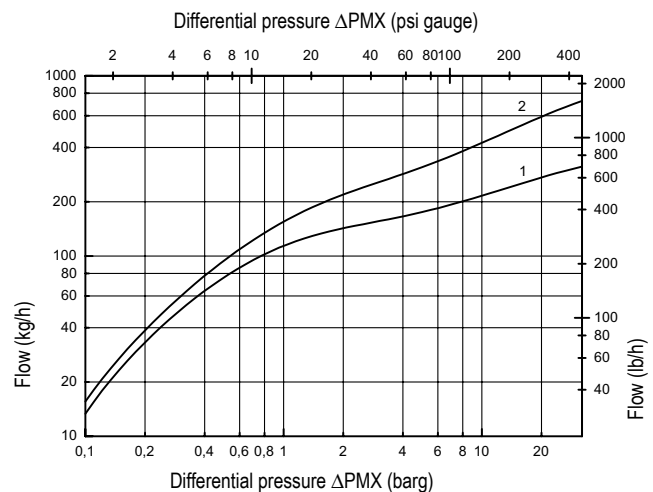
Parts

Pos.	Sp.p.	Description	Material, Material-Nr.
1		Body	SA276Gr.321
11	x	Sealing ring (spiral wounded gasket)	Metaflex (with Graphite)
16		Hood	SA240Gr.304
17	x	Sealing ring (spiral wounded gasket)	Metaflex (with Graphite)
18		Snap ring	AISI301
24	x (opt. unit)	Controller / Capsule B, kpl.	SA240Gr.304 / Hastelloymembran
27		Hexagon screw	SA193Gr.B16
49	x	Sealing ring für Plug	SA240Gr.316Ti
50	x	Plug (M14x1,5)	SA276Gr.321 (with metric screw-thread)
58		Loose flange	SA276Gr.321
L Spare parts			

Information / restriction of technical rules need to be observed!

Resistance and fitness must be verified (contact manufacturer for information, refer to Product overview and Resistance list).

 Operating and installation instructions can be downloaded at www.ari-armaturen.com.

Capacity chart


The capacity chart shows the maximum flow rates.

Curve 1: Maximum flow at hot condensate.

Curve 2: Maximum flow at cold condensate at about 20°C (during start-up of a cold installation).

CONA®TD-Universal - Thermodynamic steam trap (Stainless steel)

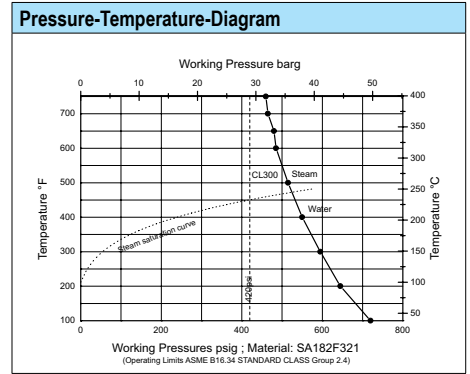
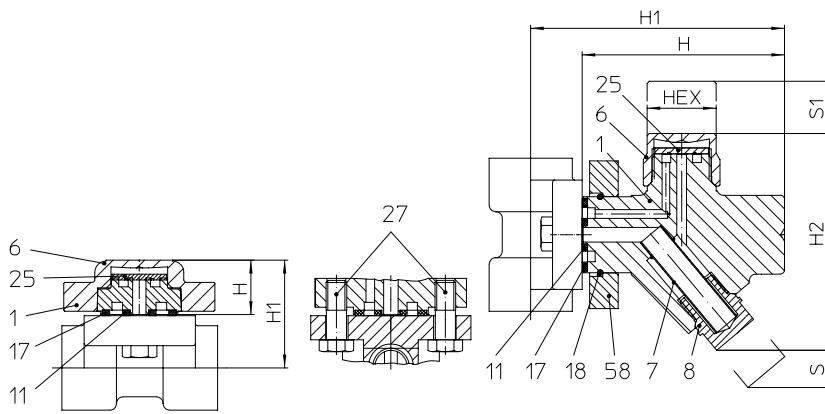


Fig. 642 without strainer
Universal flange with 2 x 3/8" UNC-thread

Fig. 643 with outside strainer
Universal flange with 2 x 3/8" UNC-thread

Figure	Nominal pressure	Material	NPS / Nominal diameter	Operating pressure PS	Inlet temperature TS	max. differential pressure ΔPMX	permissible pressure ratio
55.642	ANSI300	SA276Gr.420	2 x 3/8"	29 barg	400 °C	29 bar	Back pressure / Inlet press. ≤ 0,8 barg
55.643 (Y)	ANSI300	SA182F6 A	2 x 3/8"	29 barg	400 °C	29 bar	

Types of connection

- Universal flange _____ 2 x 3/8" UNC-thread

Features

- Thermodynamic steam trap in compact design for the condensate-discharge of steam systems.
- Intermittent mode of operation
- Integrated non return protection
- Robust and insensitive to waterhammer
- Constructions:
 - Fig. 642: without strainer
 - Fig. 643: with outside strainer
- Mounting position:
 - Fig. 642: any position
 - Fig. 643: always with drain plug upside down
- Can be combined with all types of CONA-Connector (refer to page 6)

Types of connection

Universal flange

NPS

2 x 3/8"

Dimensions

		Fig. 55.642	Fig. 55.643
H	(mm)	24	84
H1	(mm)	acc. to connector type	
H2	(mm)	--	103
S	(mm)	--	45
S1	(mm)	--	20
HEX	(mm)	--	32

Weights

(approx.)	(kg)	0,4	1,3
-----------	------	-----	-----

Parts

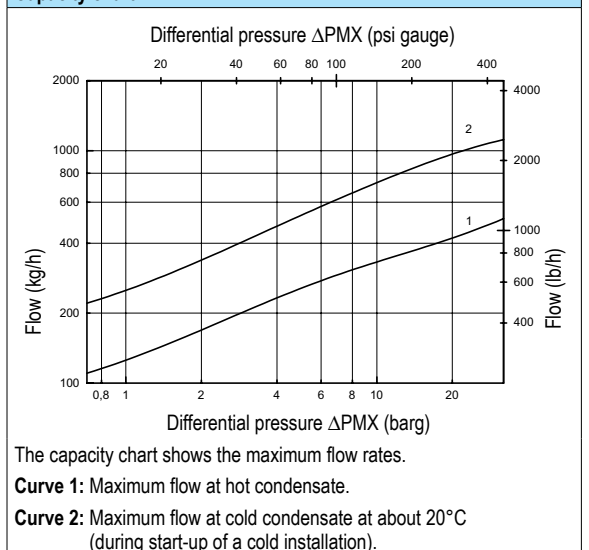
Pos.	Sp.p.	Description	Fig. 55.642	Fig. 55.643
1		Body	SA276Gr.420	SA182F6 A
6		Cap	SA276Gr.420	SA276Gr.321
7	x	Strainer (Y)	--	SA240Gr.304
8	x	Strainer plug (Y)	--	SA276Gr.321
11		Sealing ring (spiral wounded gasket)	Metaflex (with Graphite)	
17		Sealing ring (spiral wounded gasket)	Metaflex (with Graphite)	
18	x	Snap ring	--	AISI301
25		Disc	AISI440	
27		Hexagon screw	SA193Gr.B16	
58		Loose flange	--	SA276Gr.321
L Spare parts				

Information / restriction of technical rules need to be observed!

Resistance and fitness must be verified (contact manufacturer for information, refer to Product overview and Resistance list).

Operating and installation instructions can be downloaded at www.ari-armaturen.com.

Capacity chart



CONA®-Connector - System connector (Forged steel, Stainless steel)

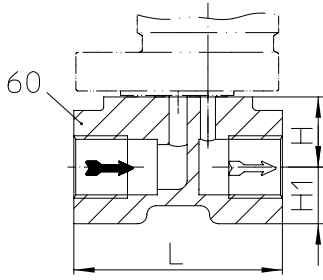


Fig. 681....2 with screwed sockets

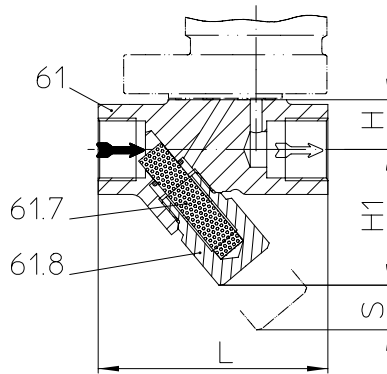


Fig. 682....2 with outside strainer and screwed sockets

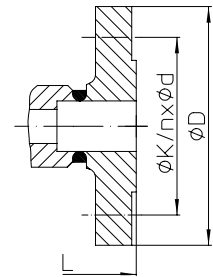


Fig. 682/683/684....1 with flanges

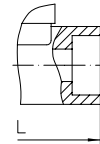


Fig. 681/682/683/684....3 with socket weld ends

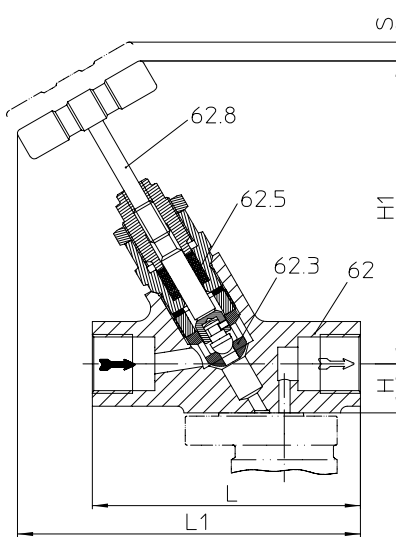


Fig. 683....2 with stop function at inlet and screwed sockets

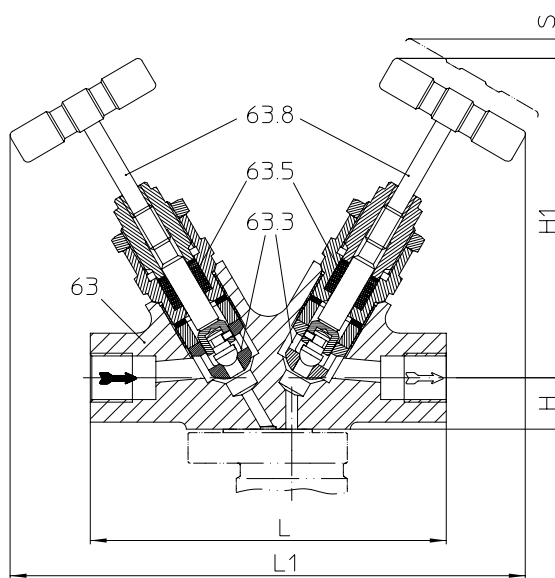


Fig. 684....2 with stop function at inlet and outlet and screwed sockets

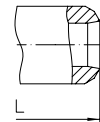


Fig. 682/683/684....4 with butt weld ends

Figure	Nominal pressure	Material	NPS	Operating pressure PS	Inlet temperature TS
55.681	ANSI300	SA351CF8	1/2" - 1"	29 barg	400 °C
45.682 / 45.683 / 45.684	ANSI300	SA105		32 barg	400 °C
55.682 / 55.683 / 55.684	ANSI300	SA182F321		29 barg	400 °C

Types of connection

- Flanges1 _____ acc. to ASME B16.5
- Screwed sockets2 ___ NPT-Thread acc. to ANSI B1.20.1 or Rp-Thread acc. to DIN EN 10226-1
- Socket weld ends3 ___ acc. to ASME B16.11
- Butt weld ends4 _____ ASME B16.25 (Note restriction on operating pressure / inlet temperature depending to design!)

Features

- System connector for minimization of installation and maintenance space saving and compact design
- Fig. 683 / 684: with integrated, low-maintenance stop valve with gland seal (on request with maintenance free bellows seal design acc. to german clean air act "TA-Luft")

Options

- Blow down valve

Types of connection	Flanges			Screwed sockets Socket weld ends			Butt weld ends		
	1/2"	3/4"	1"	1/2"	3/4"	1"	1/2"	3/4"	1"
NPS									

Face-to-face acc. to data sheet resp. customer request											
L	Fig. 681	(mm)	--	--	--	70	70	--	--	--	--
	Fig. 682	(mm)	150	150	160	95	95	160	250	250	250
	Fig. 683	(mm)	150	150	160	120	120	160	250	250	250
	Fig. 684	(mm)	200	200	205	152	152	205	250	250	250

Dimensions											
L1	Fig. 683	(mm)	169	169	174	154	154	174	219	219	219
	Fig. 684	(mm)	220	220	220	220	220	220	220	220	220
H	Fig. 681	(mm)	23,5	23,5	23,5	23,5	23,5	23,5	23,5	23,5	23,5
	Fig. 682	(mm)	21	21	21	21	21	21	21	21	21
	Fig. 683	(mm)	22	22	22	22	22	22	22	22	22
	Fig. 684	(mm)	22	22	22	22	22	22	22	22	22
H1	Fig. 681	(mm)	--	--	--	19	19	--	--	--	--
	Fig. 682	(mm)	58	58	58	58	58	58	58	58	58
	Fig. 683	(mm)	136	136	136	136	136	136	136	136	136
	Fig. 684	(mm)	136	136	136	136	136	136	136	136	136
S	Fig. 682	(mm)	30	30	30	30	30	30	30	30	30
	Fig. 683	(mm)	10	10	10	10	10	10	10	10	10
	Fig. 684	(mm)	10	10	10	10	10	10	10	10	10
Ø D	(mm)	95	117	124	--	--	--	--	--	--	
Ø K	(mm)	66,5	82,5	89	--	--	--	--	--	--	
n x Ød	(mm)	4x16	4x19	4x19	--	--	--	--	--	--	

Weights											
Fig. 681	(approx.)	(kg)	--	--	--	0,6	0,6	--	--	--	--
Fig. 682	(approx.)	(kg)	2,3	2,9	3,5	1,0	1,0	1,2	1,3	1,4	1,5
Fig. 683	(approx.)	(kg)	3,0	3,5	4,1	1,7	1,6	1,8	1,9	2,0	2,1
Fig. 684	(approx.)	(kg)	4,0	4,5	5,1	2,7	2,6	2,8	2,9	3,0	3,1

Parts						
Pos.	Sp.p.	Description	Fig. 45.682 / 683 / 684	Fig. 55.681	Fig. 55.682 / 683 / 684	
60		Body (Fig. 681)	--	SA351CF8	--	
61 (Y)		Body (Fig. 682)	SA105	--	SA182F321	
61.7 (Y)	x	Strainer	SA240Gr.304			
61.8 (Y)	x	Strainer plug	SA276Gr.321			
62		Body (Fig. 683)	SA105	--	SA182F321	
62.3	x	Seat	AISI303			
62.5		Sealing ring	Pure graphite			
62.8	x	Assembly stop valve, cpl.	AISI303			
63		Body (Fig. 684)	SA105	--	SA182F321	
63.3	x	Seat	AISI303			
63.5	x	Sealing ring	Pure graphite			
63.8	x	Assembly stop valve, cpl.	AISI303			
L Spare parts						

Information / restriction of technical rules need to be observed!

Resistance and fitness must be verified (contact manufacturer for information, refer to Product overview and Resistance list).

Operating and installation instructions can be downloaded at www.ari-armaturen.com.

